

TSS-AV-SHIELD

Shield to Protect Aqua-Vu® Camera

Fits 23.7mmØ camera & 21.3mmØ camera



DESIGNED AND MADE IN USA

Features & Benefits:

Protect Camera from object impact • Designed to achieve 180° vision by utilizing holes and slots
 Versatile for multi-surface installation and multi-purpose use • Stainless Steel Hardware
 Marine Polyethylene Camera Holder • Designed to accept up to 23.7mmØ camera
 Built in High Quality Aluminum Alloy and Powder Coated

Kit Includes:	Choose to mount the Camera Shield on:	
A. Aluminum Aqua-Vu Shield Item # TSS-AV-Shield	1. Under the trolling motor housing	Use Item A & D
B. Black Polyethylene Camera Holder	2. Trolling motor shaft	Use Item A & E
C. Aluminum Side Mounting Plate	3. Trolling motor housing side mount	Use Item A,C & D
D. 4" Stainless Steel Black Clamp	4. Telescopic Pole	Use Item A & E
E. 1-3/8" Stainless Steel Black Clamp	5. Various applications (let your mind go wild)	Use Item A
F. O Ring used only on 21.3mmØ camera ** step 3		
Hardware Included:	Tools Required:	
6/32 x 1-1/2" Phillips Truss Head Machine Screw (2)	# 1 Phillips Screw Driver	
6/32 Nylon Insert Nut (2)	#2 Phillips Screw Driver	
#6 Flat Washer (2)	5/16 Nut Driver or 5/16 Wrench	
10-24 x 1/2" Phillips Flat Head Machine Screw (2)	3/8 Nut Driver or 3/8 Wrench	
10-24 Nylon Insert Nut (2)	Camera Adjustment: See X Y Z on Diagram	
#4 x 1" Flat Head Phillips Self Tapping Screw (2)		

Continued on back

Installation Guide:

Important: Screw heads always on the engraved side facing you with the nuts behind.

Step 1: Remove Camera Holder from Shield and set hardware aside;

Step 2: Back out both camera holder screws (#4 self-tapping) until pieces come apart;

Step 3: ** Place O Ring on camera smaller camera 21.3mm \emptyset is used.

Step 4: Sit camera into the bottom half of the holder and place the other half on top, sandwiching the camera between both pieces. SUGGESTION: To help line up both pieces, put two 6/32 x 1-1/2" screws (set aside from Shield) into the camera mounting holes. Lightly tighten the #4 screws until seated, BUT DO NOT OVER TIGHTEN to avoid stripping components. Remove the 6/32 screws;

Step 5: Make a decision which side to exit the camera cable, then insert camera holder into the shield, matching the center hole with slot C in the shield (see diagram). Add flat washer and nut and snug. DO NOT LOCK IN PLACE YET;

Step 6: Choose camera angle position (see Diagrams Labeled X Y Z). Then insert second 6/32 x 1-1/2" truss head machine screw, flat washer and nylon insert nut and then snug. DO NOT OVER TIGHTEN;

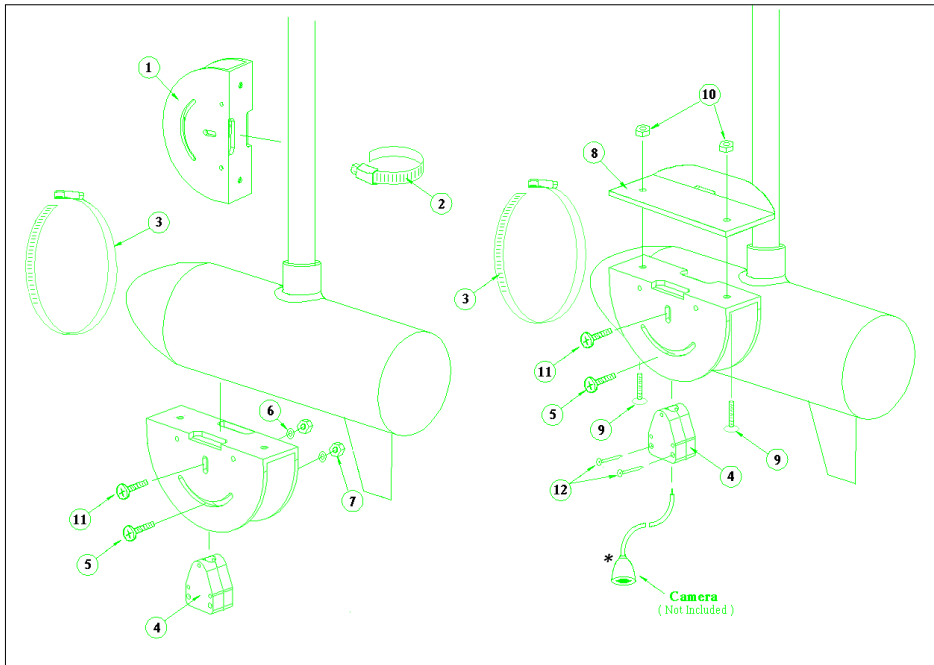
Step 7: Choose installation position on the trolling motor:

1. Under the Trolling Motor housing use (D) 4" clamp and tighten in place using 5/16 nut driver or wrench;
2. On the Trolling Motor Shaft use (E) 1-3/8" clamp and tighten in place using 5/16 nut driver or wrench;
3. Side mount on Trolling Motor Housing use (C) Side Mounting Plate. First attach the Side Mounting Bracket using two 10-24 x 1/2" Phillips Flat Head machine screws and nylon insert nuts. Insert the head of the screw inside the shield with the nut outside on the top of the plate;

Step 8: Go back to Step 5 to confirm your chosen camera position and make any necessary adjustments;

Step 9: Leave enough slack in the camera cable for future adjustment and then route the camera cable to the trolling motor shaft. SUGGESTION: for a neat finish, use split loom or sleeve to protect the camera cable.

TSS-AV-SHIELD



1. TSS-AV-SHIELD
 2. 1 3/8" Hose Clamp for Shaft Mount
 3. 4" Hose Clamp for Side Mount
 4. Two-piece camera holder
 5. 6/32 Angle Selection Screw (2)
 6. #6 Flat Washer (2)
 7. 6/32 Nyloc Nut (2)
 8. Side Mounting Plate
 9. 10-24 Machine Screw (2)
 10. 10-24 Nyloc Nut (2)
 11. 6/32 Center Pivot Screw (1)
 12. #4 Camera Holder Screw (2)
- *O Ring included for smaller camera

